



Prestel NCS-TU1C



IP Network Wired Gooseneck
Chairman Unit





NCS-TU1C

IP Network Wired Gooseneck Chairman Unit

- Video Tracking
- 4.3" Touchscreen
- High-Fidelity Microphone
- Representatives Management
- Supercardioid Pickup

4.3-Inch
Touch Screen

ANC

MAIN FEATURES

▲ Professional Network Conference Connectivity

- Dual Network Ports: White and black RJ45 ports support flexible daisy-chain or ring network connection with the conference host.
- 24V Centralized Power Supply: Powered directly from the host for simplified installation and stable operation.

▲ Chairman Control and Priority Functions

- Chairman Priority: Allows the chairman to take control or override delegate microphones when needed.
- Conference Mode Support: Works with multiple modes such as FIFO, Request, Chairman, Limited, Timed, and Voice-Activated.
- Built-in Volume Adjustment: Convenient hardware buttons for local output volume.

▲ Audio Quality and Build

- Gold-Plated Condenser Microphone: 14mm supercardioid capsule ensures accurate voice capture and low noise.
- Wide Frequency Response: 20Hz–20kHz for rich and full sound reproduction.
- Premium Materials: Durable ABS and aluminum alloy housing designed for professional conference environments.

SPECIFICATION

POWER PARAMETERS

Power Supply:	Powered By Conference Central Control Unit, DC24V
Power Consumption:	≤3.5W

MICROPHONE AUDIO PARAMETERS

Frequency Response:	20Hz~20kHz
Sensitivity:	-41dB±2dB (0dB=1V/Pa @1kHz)
Max SPL:	120dB SPL @1kHz, 1% THD

INTERFACE

RJ45 Port *2
3.5mm Audio Output Jack *1

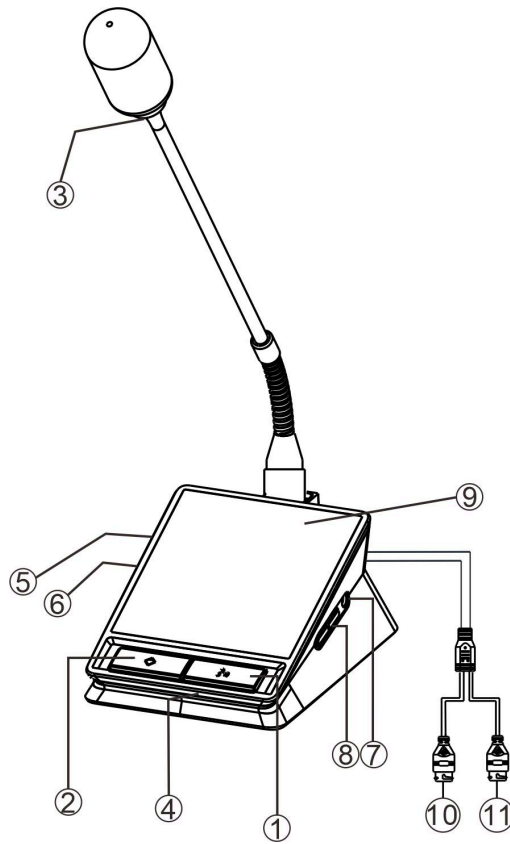
MECHANICAL & ENVIRONMENTAL PROPERTIES

Mounting Method:	Desktop
Installation Environment:	Dry Indoor Locations
Display:	4.3 Inch Capacitive Touch Screen
Product Color:	Black
Microphone Head:	14mm Diameter Gold-Plated Capacitive Microphone
Directional:	Supercardioid
Shell Material:	ABS/Aluminum Alloy
Working Temperature:	0°C~+45°C
Working Humidity:	≤90%RH, No Condensation
Product Dimensions:	144(D)×100(H) (mm)
Warranty:	2 Years

ACCESSORIES

1×Network Cable(1m)
1×Quick Installation Guide
1×Quality Certificate
1×Warranty Card

INTERFACE DESCRIPTION (Chairman Unit)



① Speak Button: LED on when idle; press to speak (LED off).

② Mute Button: LED off when pressed and all the delegate units that are speaking will be muted.

③ Microphone Rod Indicator: Lights up during speech.

④ Speech Status Indicator: Lights up during speech.

⑤ Reserved Indicator: Undefined

⑥ Type-C interface: Used for updating firmware.

⑦ 3.5 mm Audio Jack

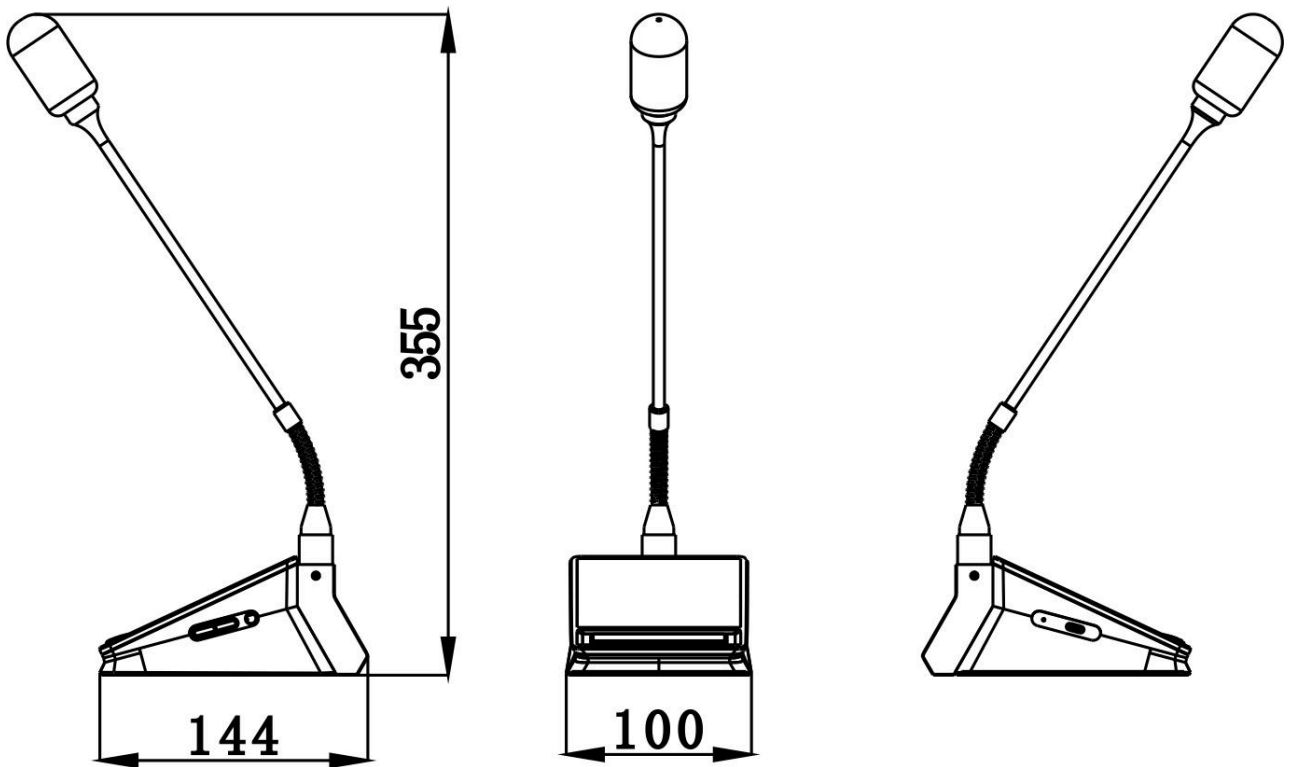
⑧ Volume Buttons: + / - for 3.5mm audio output.

⑨ Touch Screen

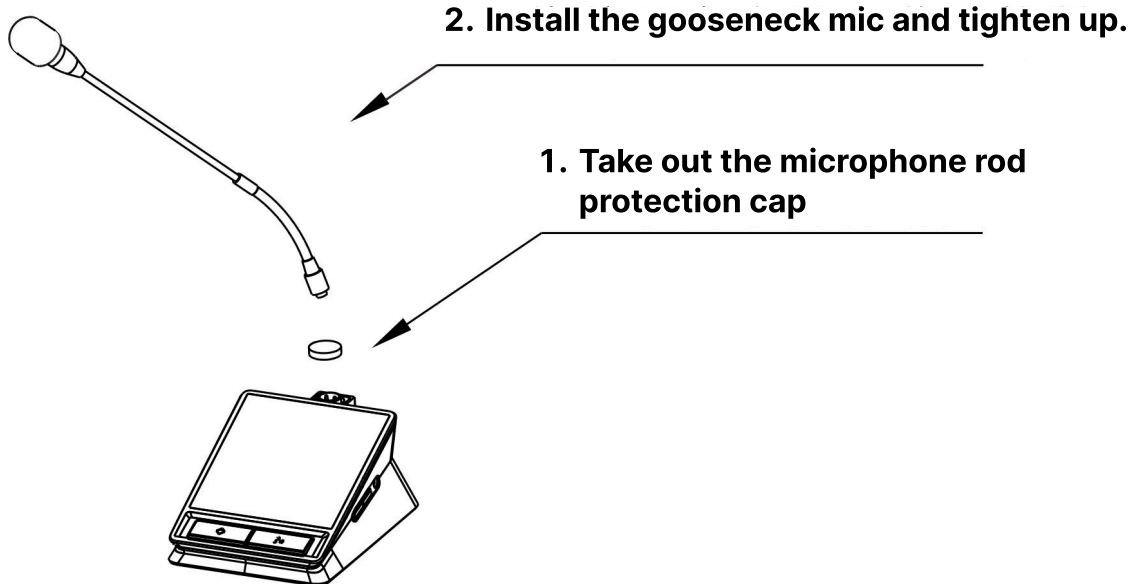
⑩ White Network Port: Connect to host (A1-B4) or next wired microphone.

⑪ Black Network Port: Connect to host (A1-B4) or next wired microphone.

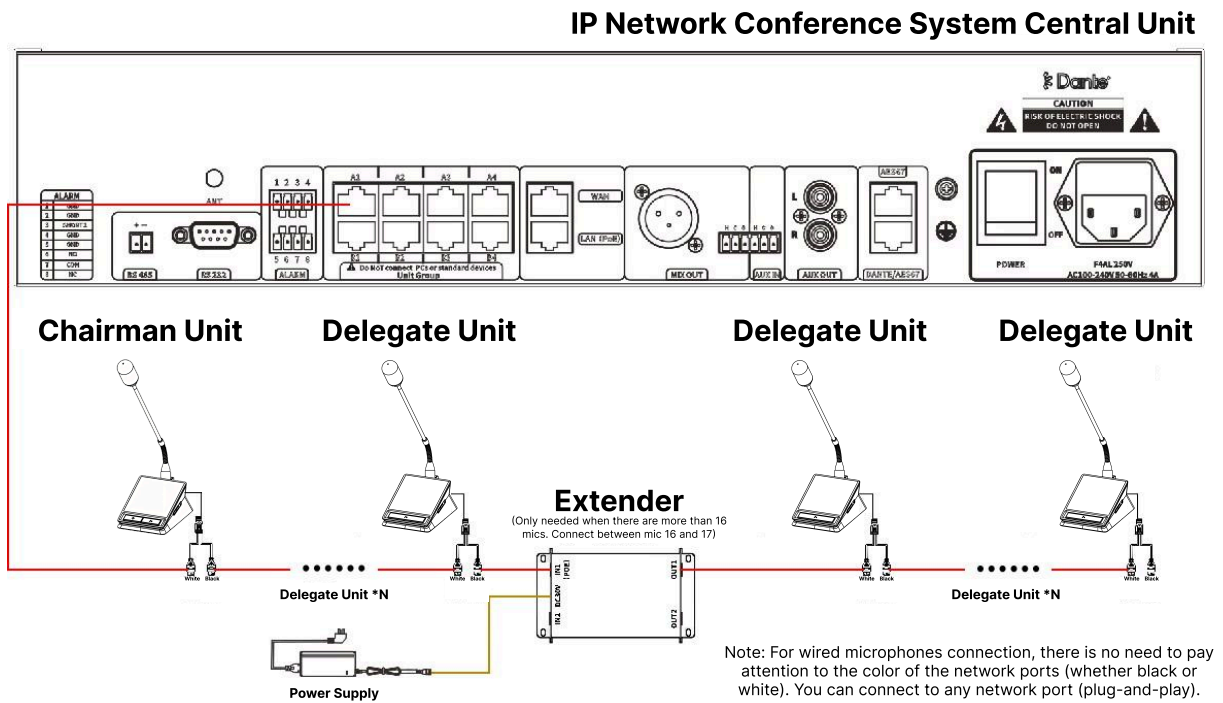
DIMENSIONAL DRAWING



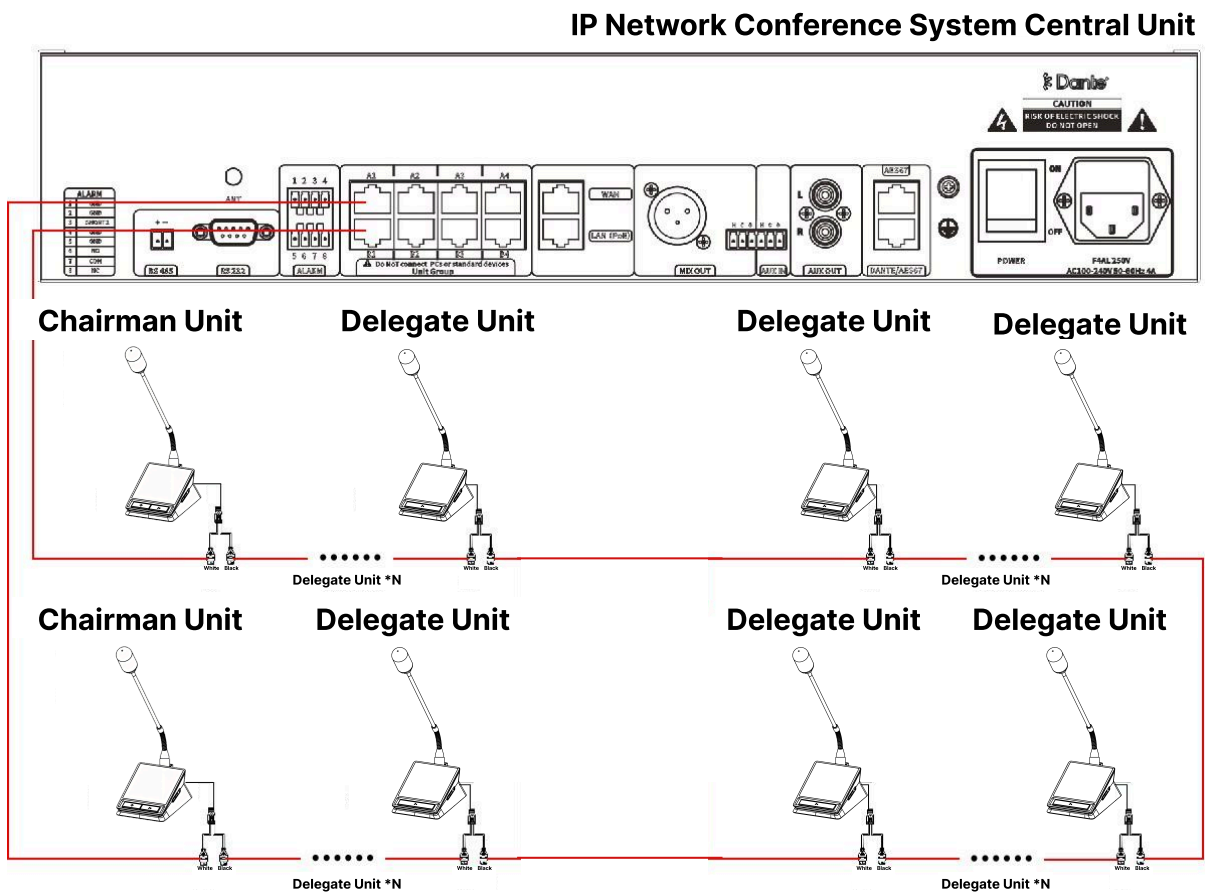
INSTALLATION INSTRUCTIONS



CONNECTION DIAGRAM (Local Daisy-Chain Connection)



CONNECTION DIAGRAM (Local Ring Connection)



CONNECTION DIAGRAM (Network Daisy-Chain/Ring Connection)

IP Network Conference System Central Unit

